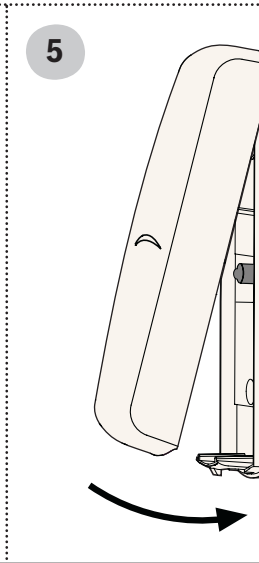
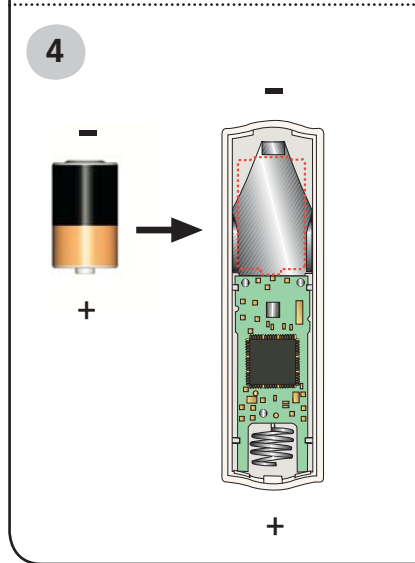
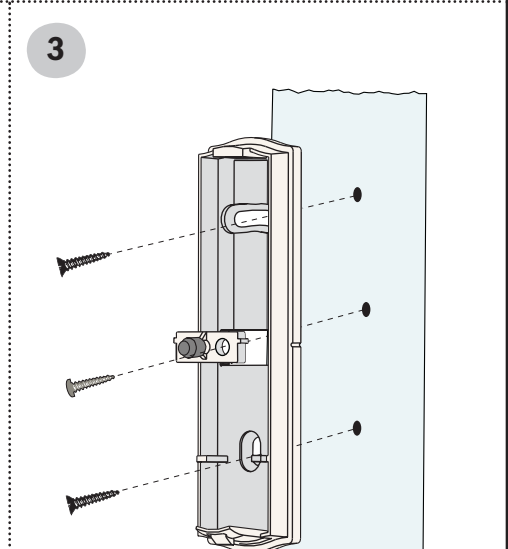
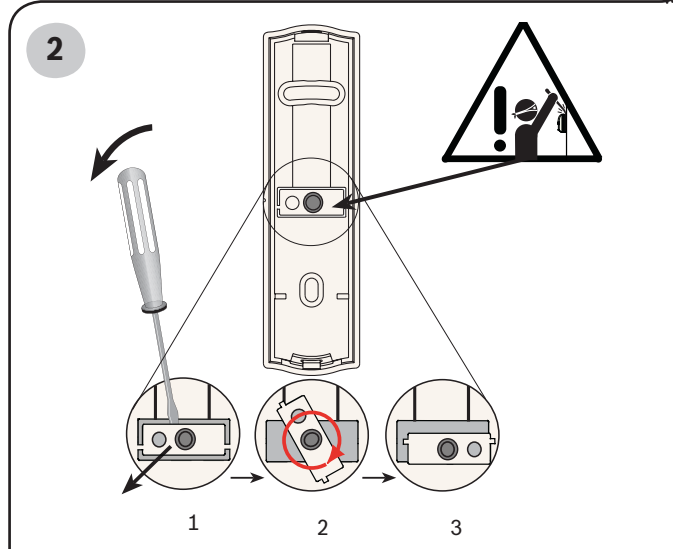
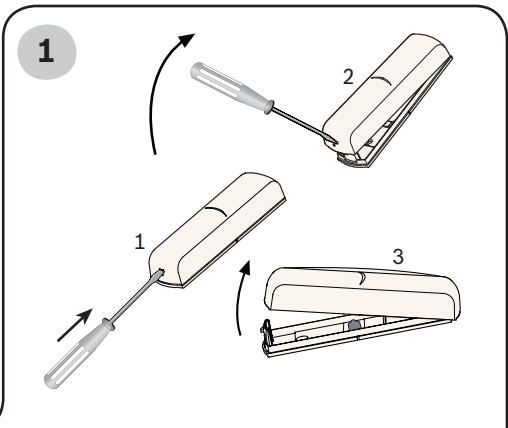
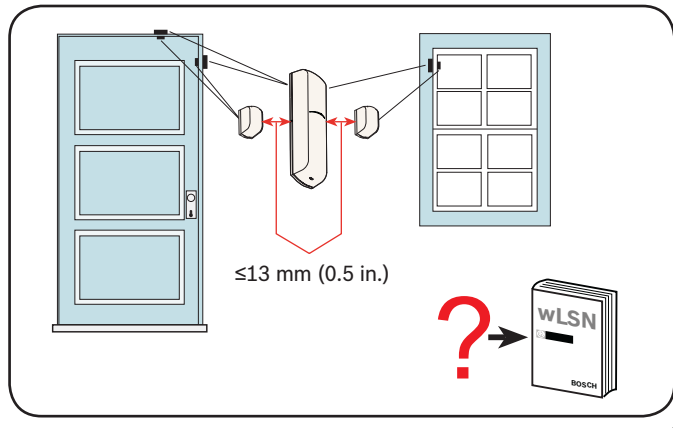
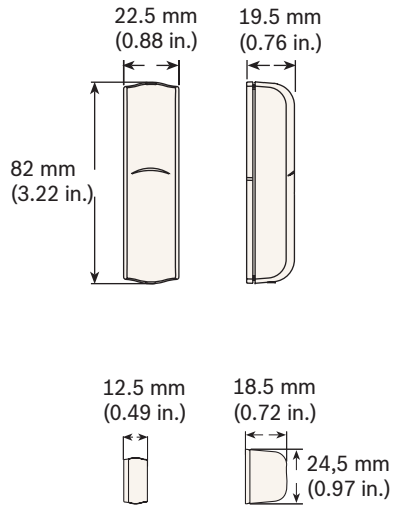
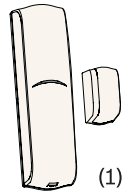


ISW-BMC1-M82X (868 MHz)
ISW-BMC1-M82Y (915 MHz)



wLSN
Mini Door-Window Contact
Installation Instructions

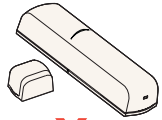


www.boschsecurity.com

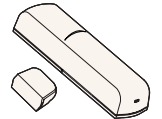
© 2007 Bosch Security Systems, Inc.
F01U011876-01

6-1

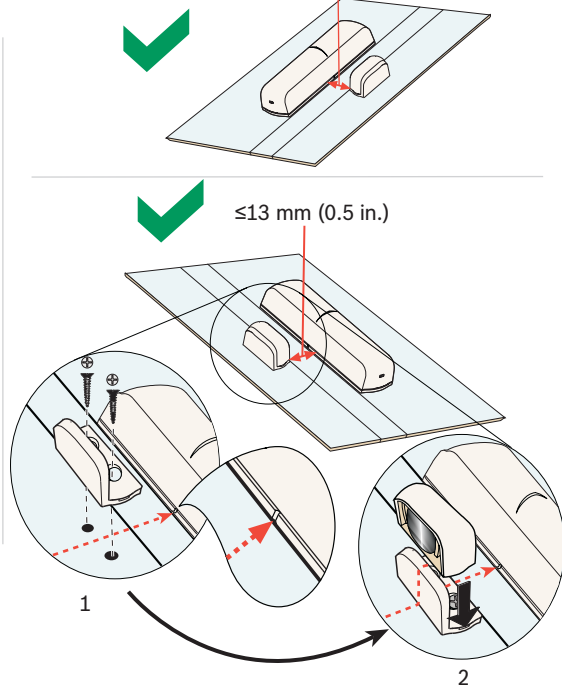
≤13 mm (0.5 in.)



X

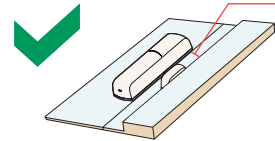


X

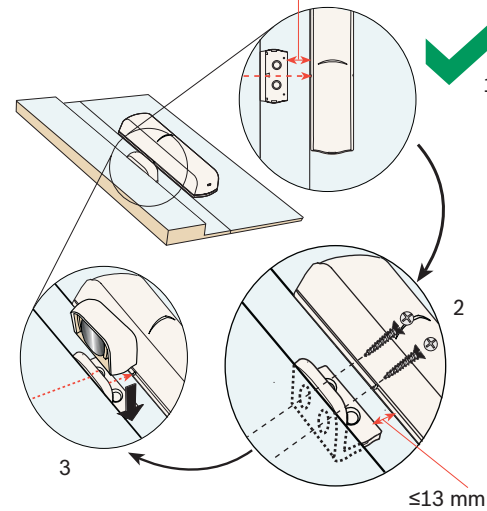


6-2

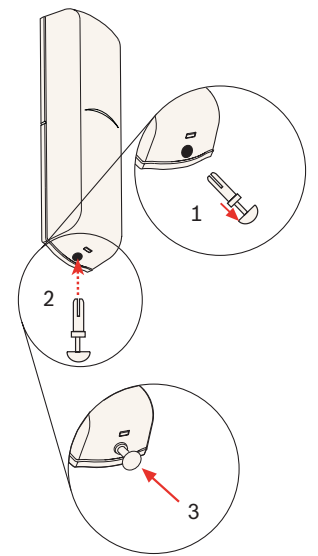
≤13 mm (0.5 in.)



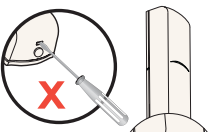
13 mm (0.51 in.)



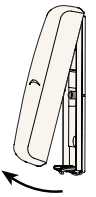
7



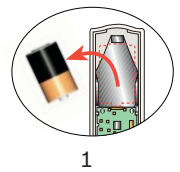
1



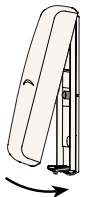
2



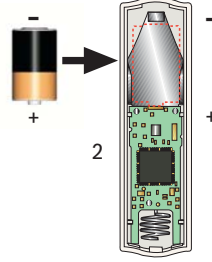
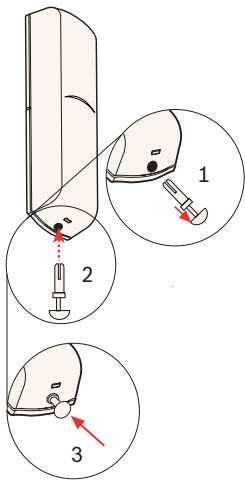
3



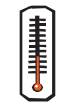
4



5



868 MHz (ISW-BMC1-M82X)
915 MHz (ISW-BMC1-M82Y)



-10°C - +55°C (+14°F - +131°F)



<95%

ISW-BMC1-M82X (868 MHz):



EN50131-1 Grade 2
Environmental Class II

ISW-BMC1-M82Y (915 MHz):

FCC, Part 15

IC: Industry Canada RSS-210

UL634: Standard for Connectors and Switches for Use with Burglar Alarm Systems

ULC C634-M1986: Standard for Connectors and Switches for Use with Burglar Alarm Systems

© 2007 Bosch Security Systems, Inc.
F01U011876-01

