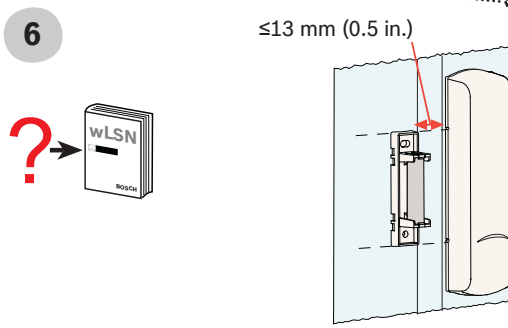
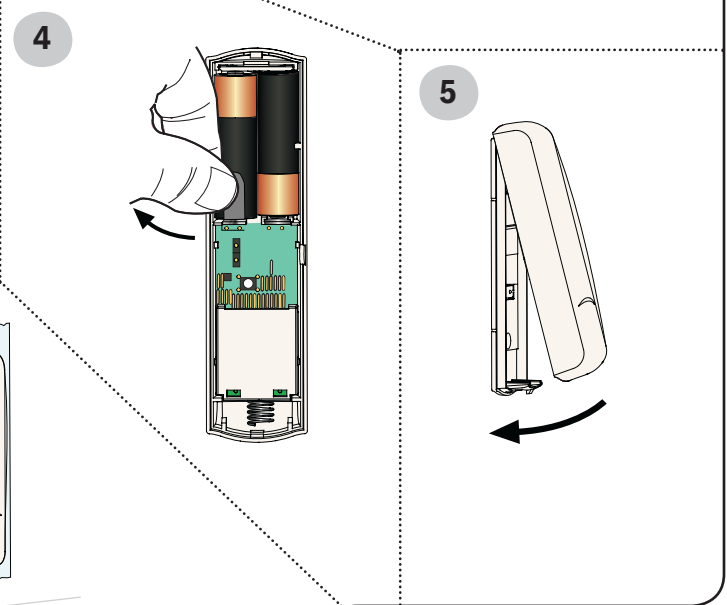
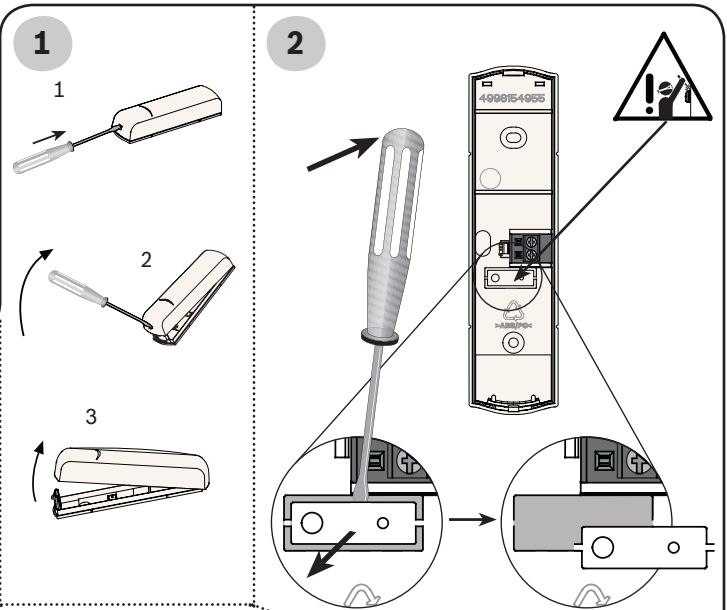
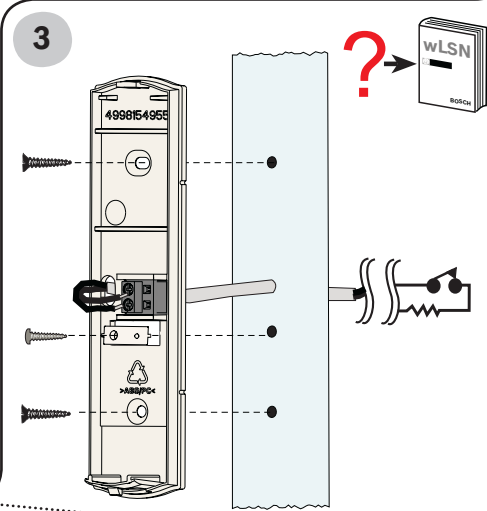
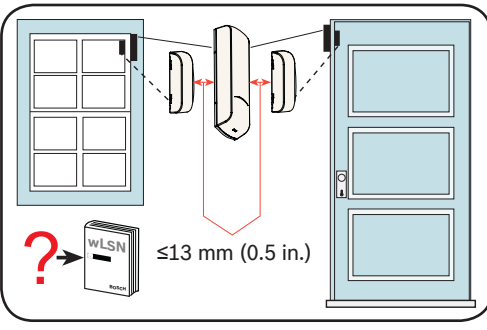
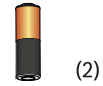
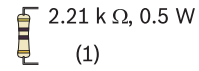
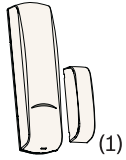


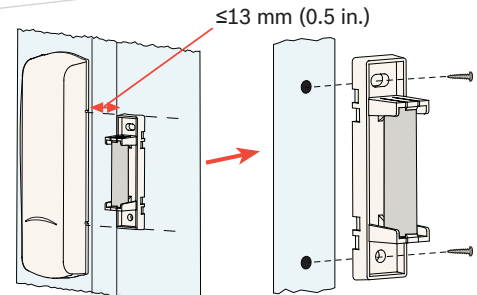
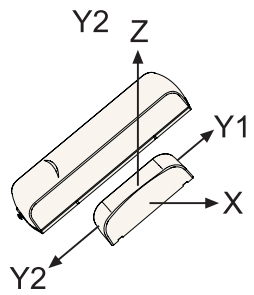
ISW-BMC1-S135X (868 MHz)  
ISW-BMC1-S135Y (915 MHz)



wLSN Door-Window Contact  
Installation Instructions



NF A2P Distances (mm)		
Wood/Bois	O	F
X	32	26
Y1	14	11
Y2	26	11
Z	45	40
Metal	O	F
X	20	17
Y1	10	8
Y2	23	21
Z	40	30

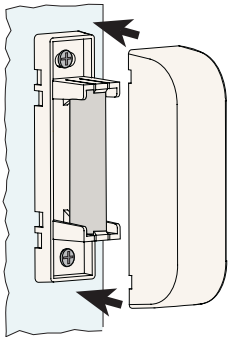


[www.boschsecurity.com](http://www.boschsecurity.com)

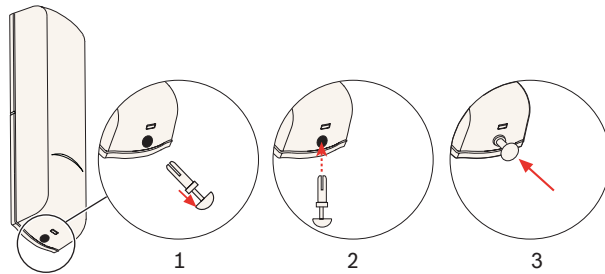
© 2009 Bosch Security Systems, Inc.  
F01U500909-02



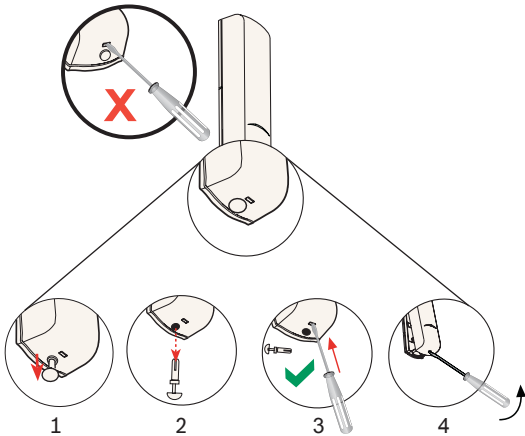
7



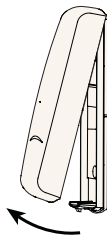
8



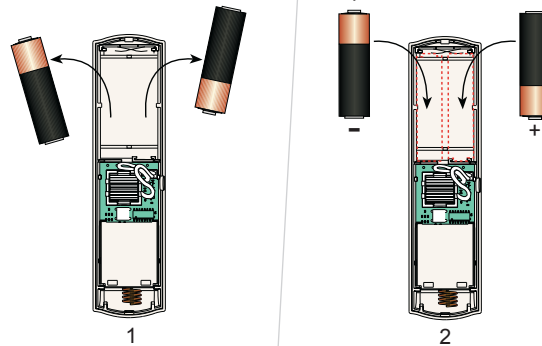
1



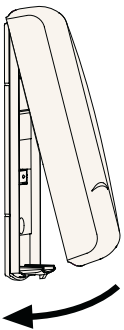
2



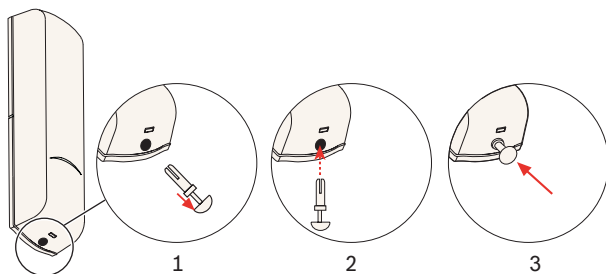
3



4



5



**ISW-BMC1-S135X (868 MHz):**



EN50131-1, EN50131-6, EN50131-5-3 Grade 2

Environmental Class II

IP30/IK04 (EN60529, EN62262)



Certification NF A2P Type 2  
Attestation 2120000350 délivrée par  
AFNOR Certification 93571 La Plaine St Denis  
CNPP Certification 27950 St Marcel  
Pour son usine : 000110P2

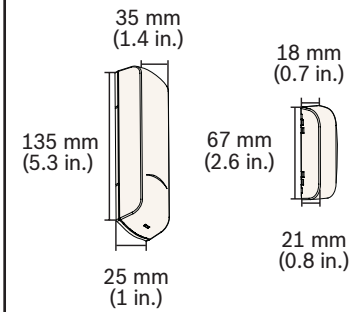
**ISW-BMC1-S135Y (915 MHz):**

FCC, Part 15

IC: Industry Canada RSS-210

UL634: Standard for Connectors and Switches for Use with Burglar Alarm Systems

ULC C634-M1986: Standard for Connectors and Switches for Use with Burglar Alarm Systems



868 MHz (ISW-BMC1-S135X)  
915 MHz (ISW-BMC1-S135Y)



-10°C - +55°C(+14°F - +131°F)



<95%

© 2009 Bosch Security Systems, Inc.  
F01U500909-02

