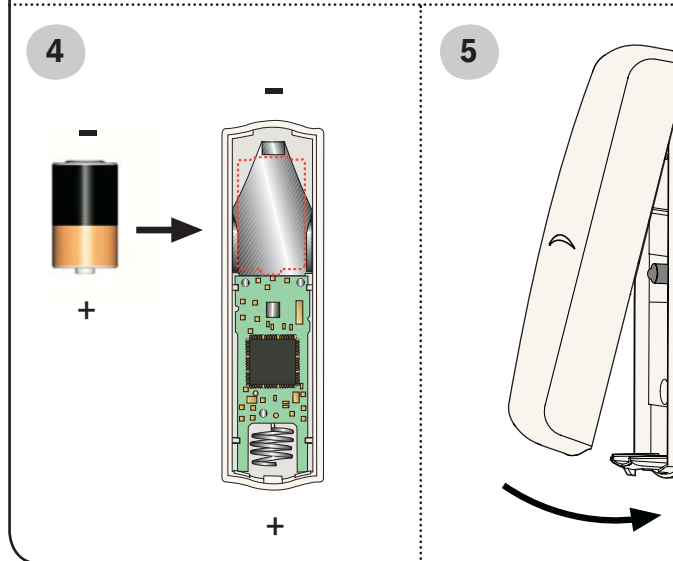
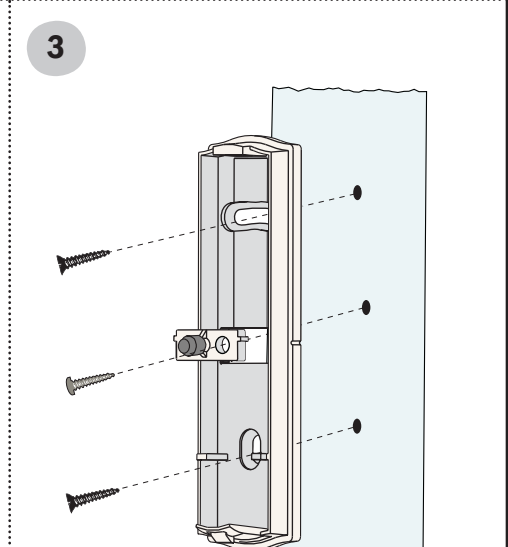
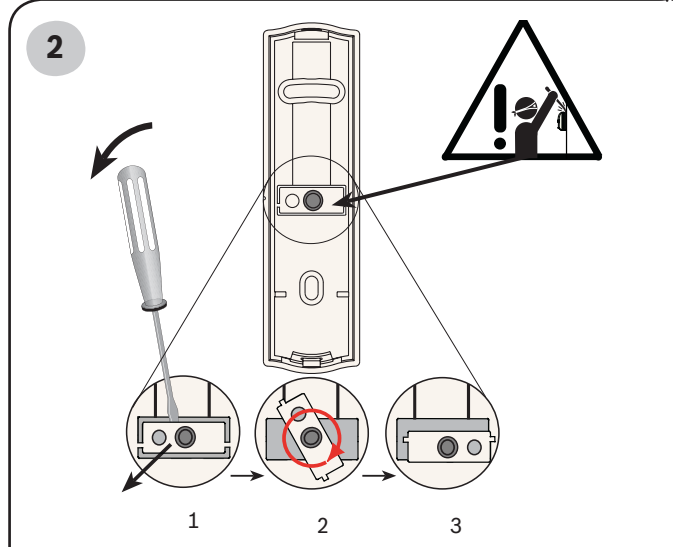
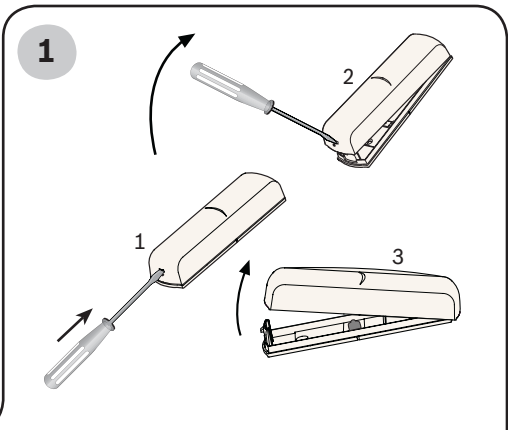
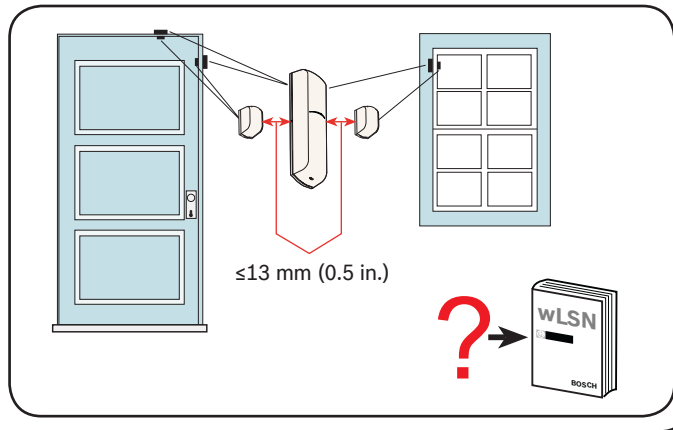
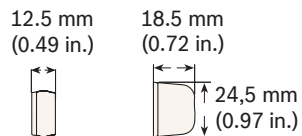
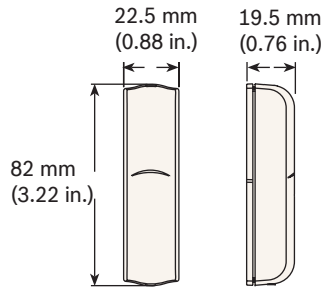
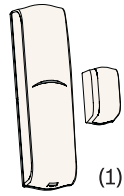


ISW-BMC1-M82X (868 MHz)
ISW-BMC1-M82Y (915 MHz)



wLSN
Mini Door-Window Contact
Installation Instructions

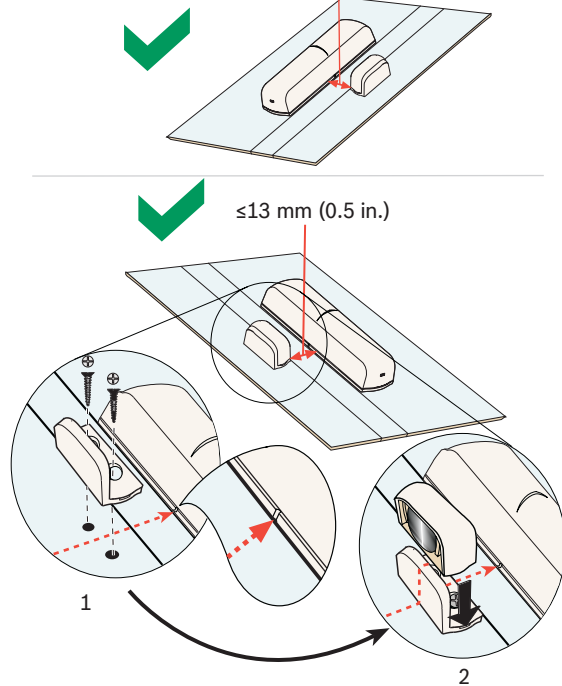
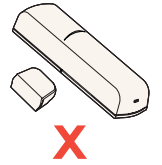
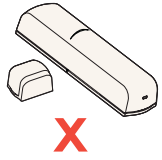


www.boschsecurity.com

© 2009 Bosch Security Systems, Inc.
F01U011876-02

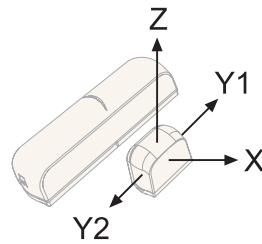
6-1

≤13 mm (0.5 in.)

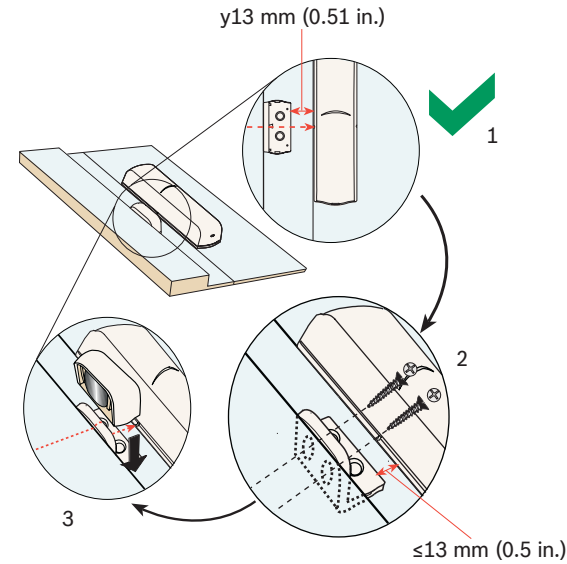
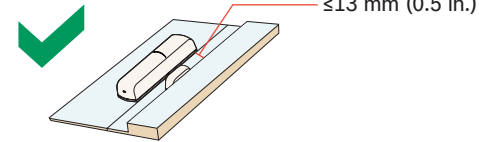


NF A2P Distances (mm)

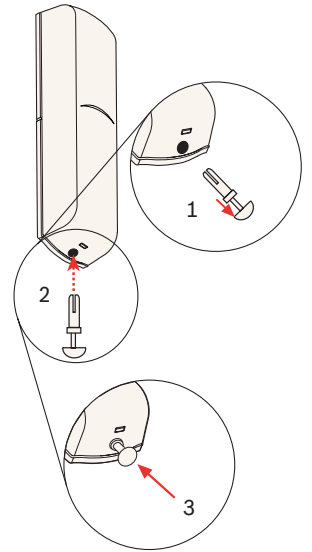
| Wood/Bois | O | F |
|-----------|----|----|
| X | 17 | 13 |
| Y1 | 14 | 12 |
| Y2 | 15 | 13 |
| Z | 17 | 13 |
| Metal | O | F |
| X | 11 | 8 |
| Y1 | 14 | 12 |
| Y2 | 13 | 10 |
| Z | 14 | 11 |



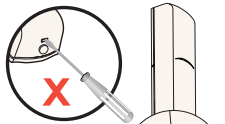
6-2



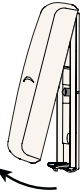
7



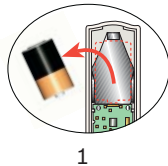
1



2



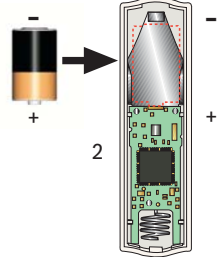
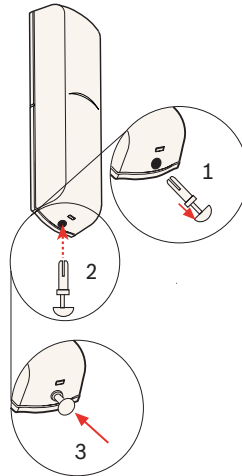
3



4



5



ISW-BMC1-M82X (868 MHz):



EN50131-1, EN50131-6, EN50131-5-3 Grade 2
Environmental Class II
IP30/IK04 (EN60529, EN62262)



Certification NF A2P Type 2
Attestation 2120000340 délivrée par
AFNOR Certification 93571
La Plaine St Denis
CNPP Certification 27950 St Marcel
Pour son usine : 000110P2

ISW-BMC1-M82Y (915 MHz):

FCC, Part 15

IC: Industry Canada RSS-210

UL634: Standard for Connectors and Switches for Use
with Burglar Alarm Systems

ULC C634-M1986: Standard for Connectors and
Switches for Use with Burglar Alarm Systems



868 MHz (ISW-BMC1-M82X)
915 MHz (ISW-BMC1-M82Y)



-10°C - +55°C
(+14°F - +131°F)



<95%

© 2009 Bosch Security Systems, Inc.
F01U011876-02

