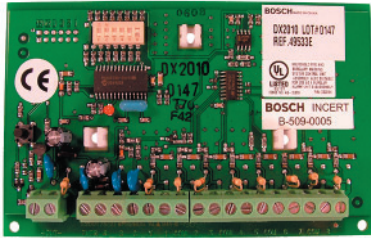
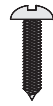
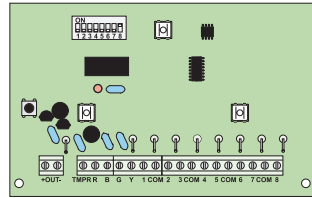


DX2010



Input Expander Installation Instructions



3-
3.5 mm (#6)



3-
4.0 mm (#8)

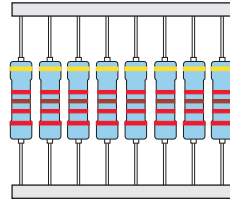


3-
P/N: 46884B

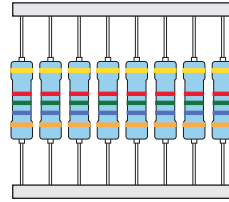


1-
P/N: 26365C

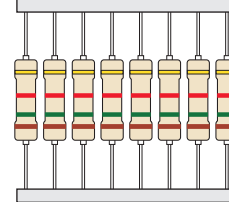
1-
P/N: DX2010



2-
P/N: 47819 (2.2 kΩ)



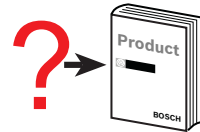
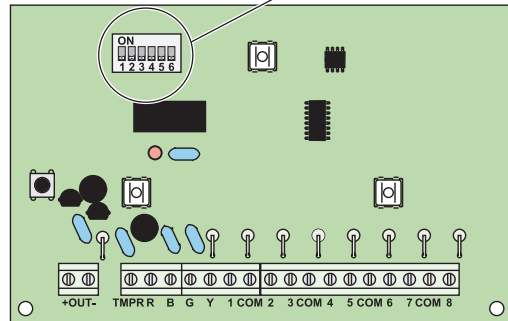
1-
P/N: 47821 (3.65 kΩ)



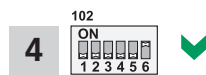
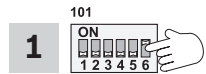
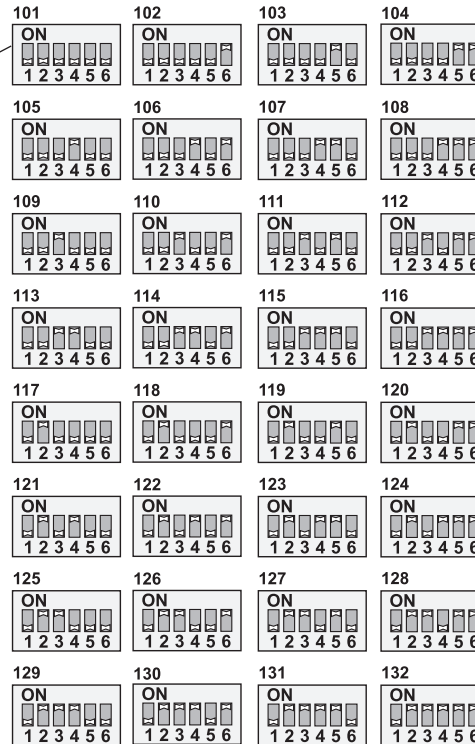
1-
P/N: 47851 (1.5 kΩ)

US For UL-approved installations, Use 2.2 kΩ resistors.

1



D6412/D4412
DS7200/DS7200V2
ICP-EZM2



www.boschsecuritysystems.com

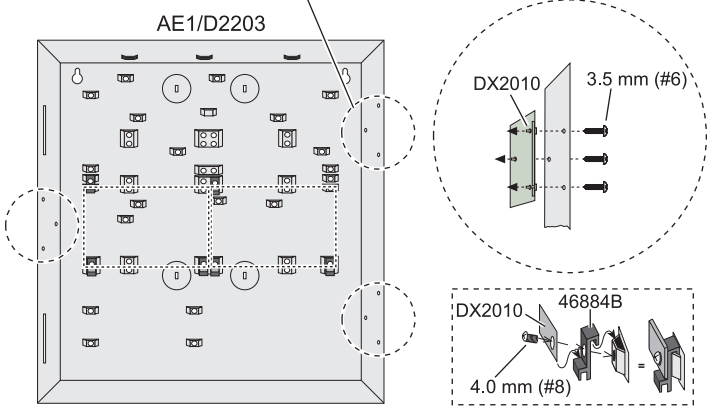
© 2006 Bosch Security Systems, Inc.
P/N: 49533G



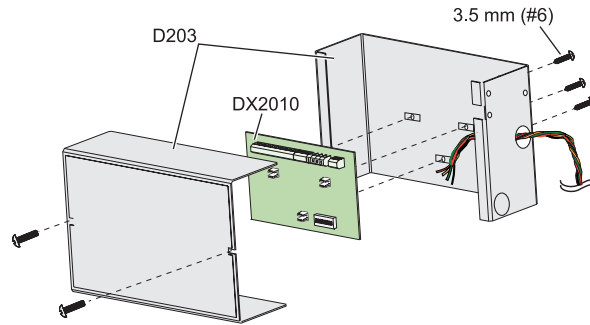
2

FR Pour une installation NF & A2P, utiliser l'emplacement situé en haut à droite du coffret.

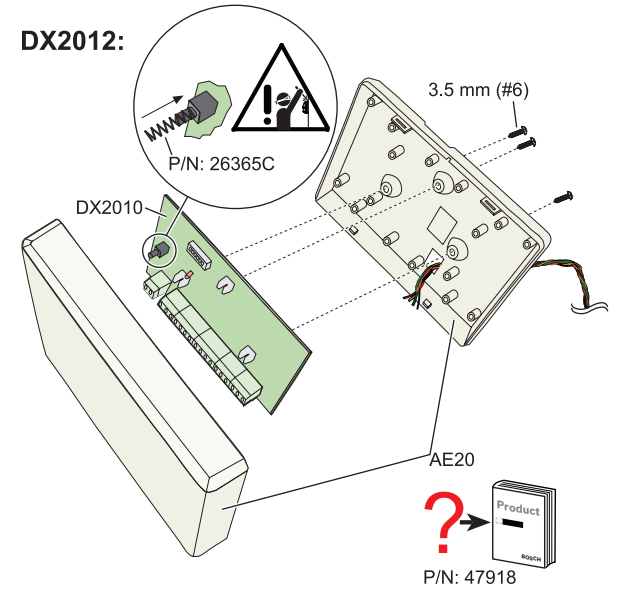
DX2010:



DX2011:

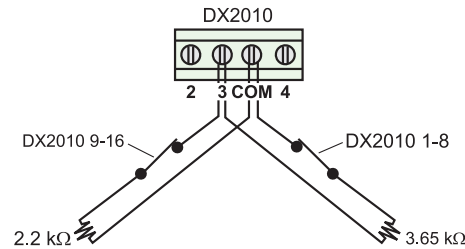
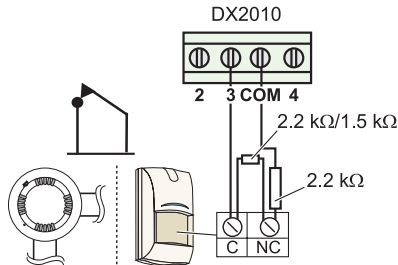
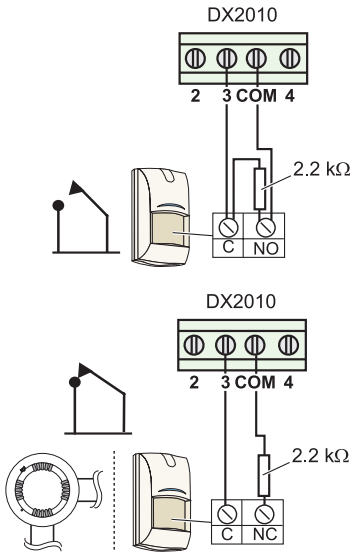
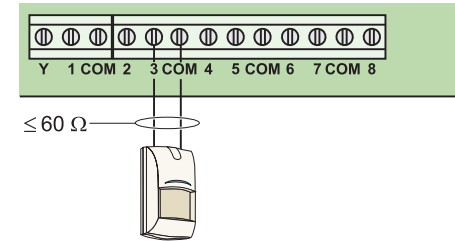
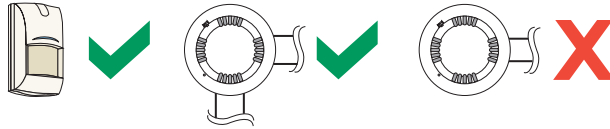


DX2012:

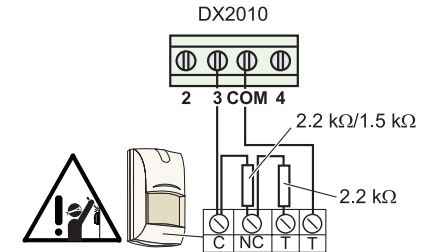


3

? **Product**
D6412/D4412
DS7200/DS7200V2
ICP-EZM2

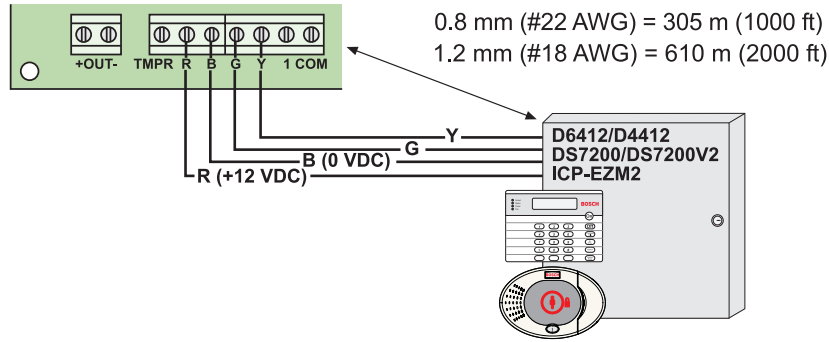


US UL: Do not use zone doubling for fire points.

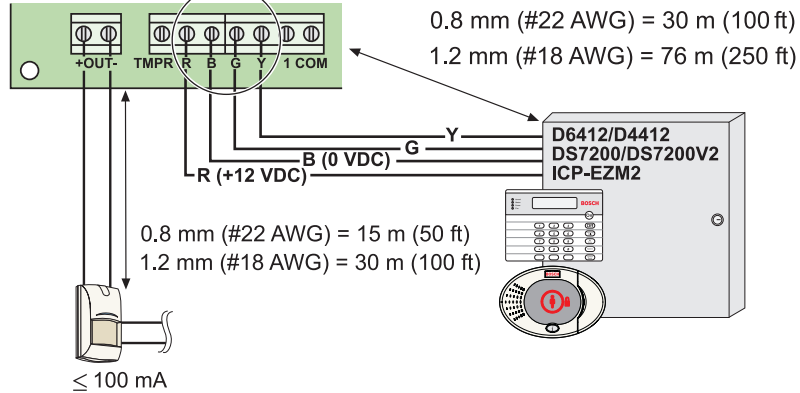


US UL: For fire applications, only use normally open contacts.
 UL: Do not use tamper EOL configurations.

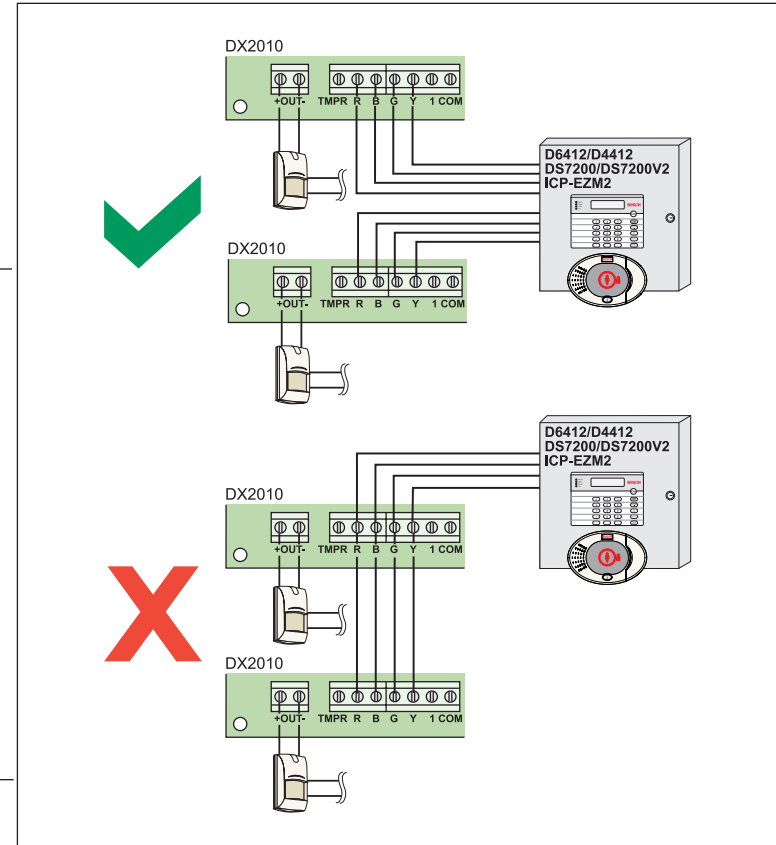
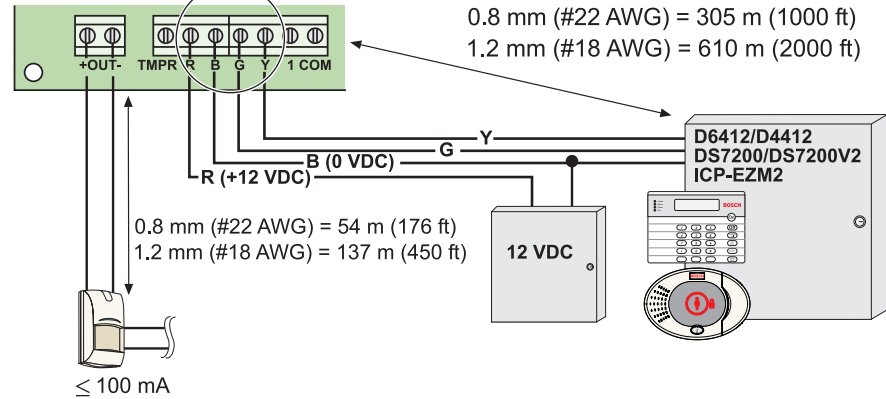
DX2010



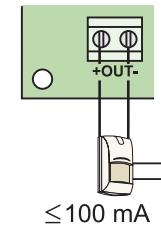
DX2010



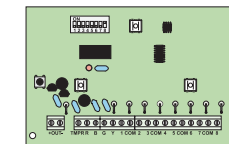
DX2010



DX2010



DX2010

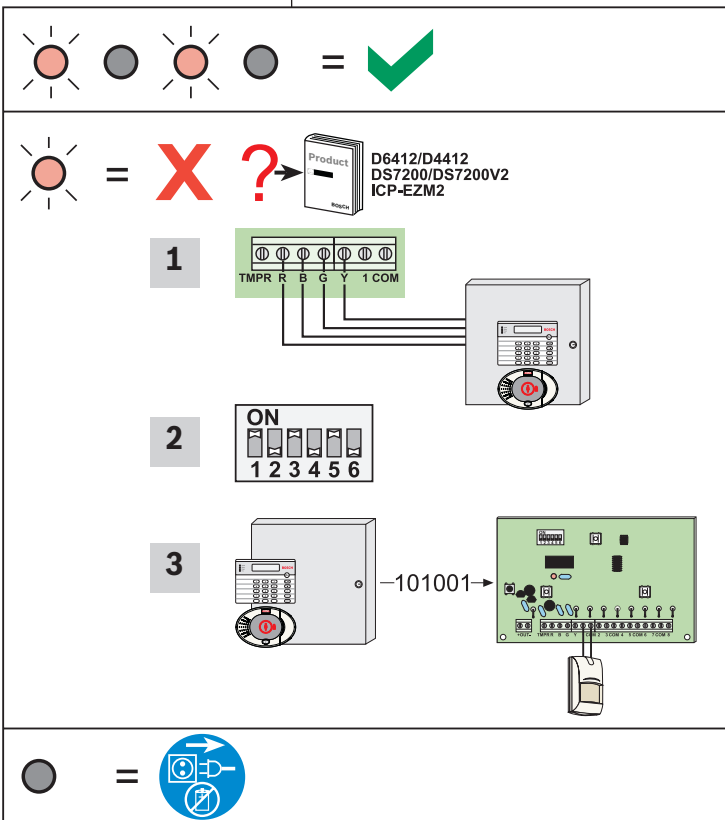
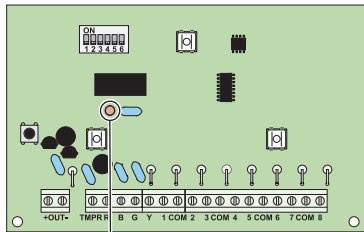
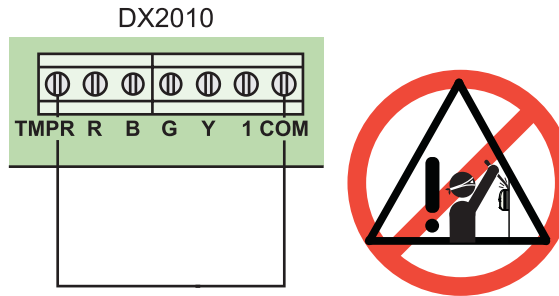
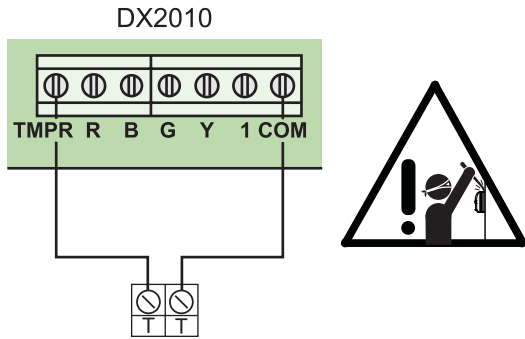


+

=

$\le 135 \text{ mA}$

5



CE

EN50131-1 Security Grade 2, Environmental Class II

BE

INCERT: B-509-0005

FR

Attestation
 N° 122000076-03 Module DX2010
 délivré par:
 CNMIS SAS, 8 place Boulnois, 75017 PARIS

EN

CSFM

UL: Test according to NFPA if used in fire applications.

- UL365 Police Station Connected Burglar Alarm Units and Systems
- UL609 Local Burglar Alarm Units and Systems
- UL985 Household Fire Warning System Units
- UL1023 Household Burglar Alarm System Units
- UL1076 Proprietary Burglar Alarm Units and Systems
- UL1610 Central Station Burglar Alarm Units
- UL1635 Digital Alarm Communicator Systems

cUL: Install according to ULC-S302.

- CAN/ULC-S304-M88, Central and Monitoring Station Burglar Alarm Units
- CAN/ULC-S545, Residential Fire Warning System Control Units
- C1023, Household Burglar Alarm Units
- CAN/ULC-S303, Local Burglar Alarm Units and Systems
- C1076, Proprietary Burglar Alarm Units and Systems

8 VDC - 14 VDC



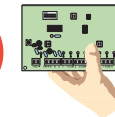
-10°C - +55°C
(+14°F - +131°F)

US

For UL Listed installations, the temperature range is 0°C to +49°C (+32°F to +120°F), humidity 93%



5% - 85%
@ +30°C (+86°F)



© 2006 Bosch Security Systems, Inc.
P/N: 49533G

Recyclable